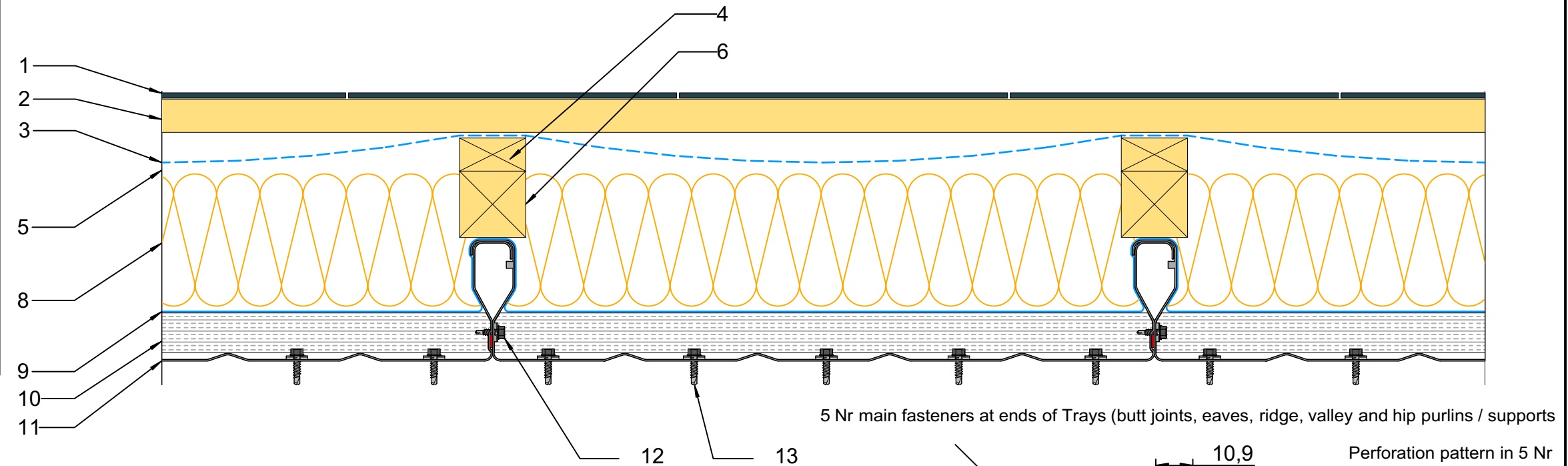
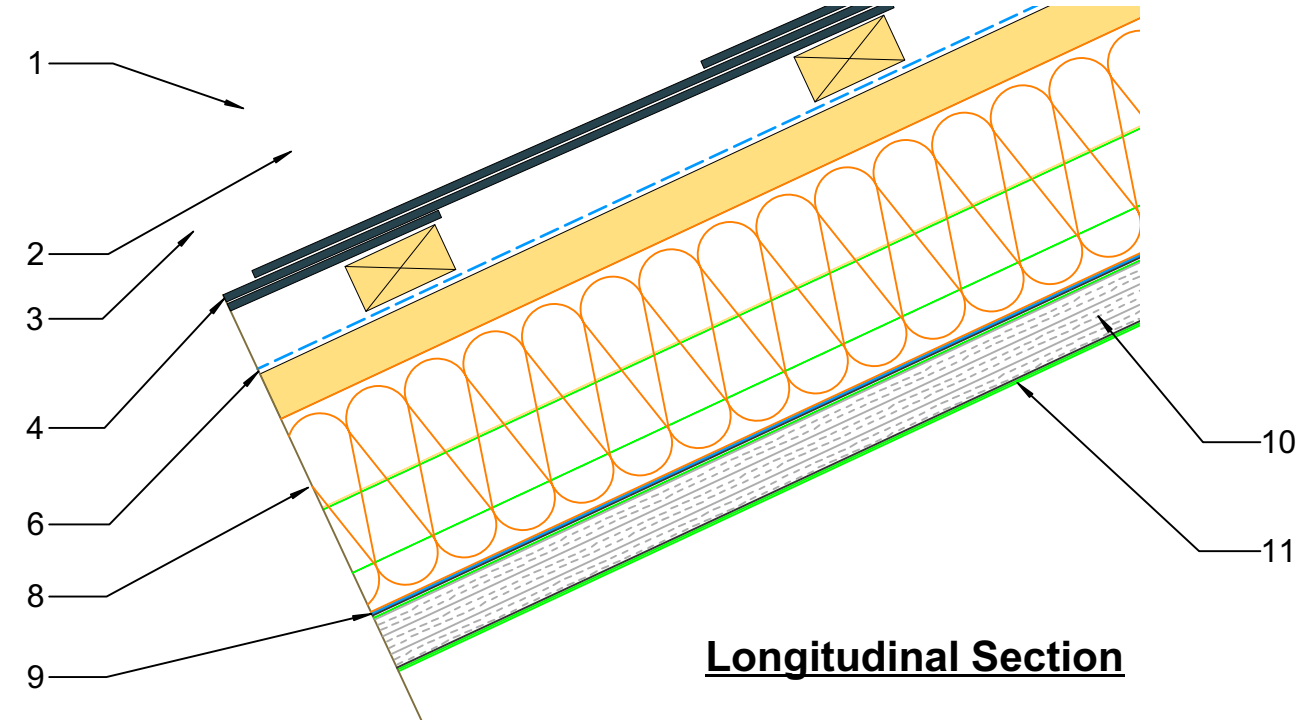
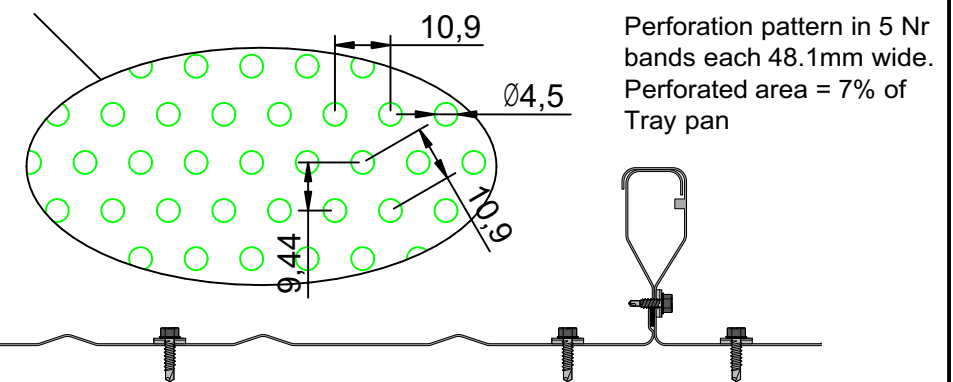
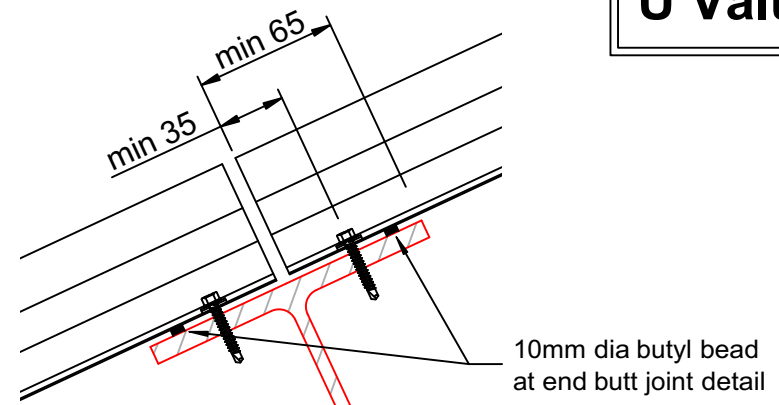


1. Non air permeable roof finish such as synthetic slates or profiled metal sheets.
2. Slate / tile battens.
3. Breather membrane < 0.25 MNs/g.
4. 50 x 25mm Secondary counterbatten fixed at 600mm cr/s.
5. 25mm Air gap.
6. 50 x 50mm Counterbatten fixed at 600mm cr/s.
7. 120mm thk insulation (compressed to 110mm). Lambda 0.037 W/mK.
8. VCL.
9. 30mm RW3 (black tissue faced).
10. Perforated TacTray 90 - 1.00mm gauge.
11. Side flange stitcher screws @ 600mm cr/s.
12. Main fasteners.



U Value 0.25 W/m²K



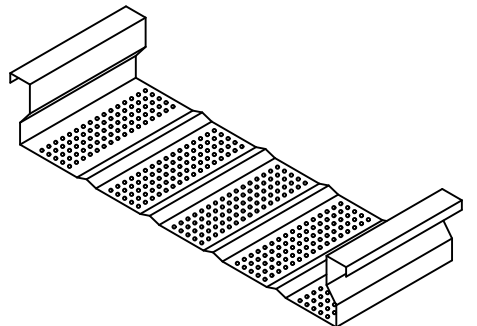
Predicted Acoustic Performance

Attenuation:- Rw = 37 dB

Absorption:-

Hz	a
63	0.36
125	0.49
250	0.57
500	0.57
1k	0.63
2k	0.63
4k	0.63

All values derived from acoustic performance modeling software. Physical test performance data are recommended if definitive values are required



BRITMET
LIGHTWEIGHT ROOFING
TacTray 90

Britmet Lightweight Roofing
Kingfisher House
Unit 17
Overthorpe Road
Banbury
OX16 4SX
Tel: 01295 250998
Fax: 01295 271068
email sales@britmet.co.uk
www.britmet.co.uk

Drawn	Date	Scale
BTD	11/12/19	Do Not Scale

Revisions

--	--	--

Title
Britmet Lightweight Roofing
TacTray 90 - Acoustic Construction Details for
Non Air Permeable Roof Finishes.

U Value 0.25 W/m²K.

DRG No.
TF/TT90/200